



PF 1000



TECHNICAL DATA

Fluid connections	DN80 tri-clamp ISO 2852
Air connection	3/4" BSPP
Max. flow rate	1050 lt/min
Max air pressure	8 bar
Max delivery head	80 m
Max suction lift dry	5 m
Max suction lift wet	9,8 m
Max solid passing	12 mm
Noise level	82 dB
Max viscosity	55.000 cps
Displacement per stroke	9750 CC ~

Displacement per stroke may vary based on suction condition, discharge head, air pressure and fluid type.

- II 3/3 G Ex h IIB T4 Gc
- II 3 D Ex h IIIB T135°C Dc X

**SS AISI 316
ELECTRO-POLISHED**

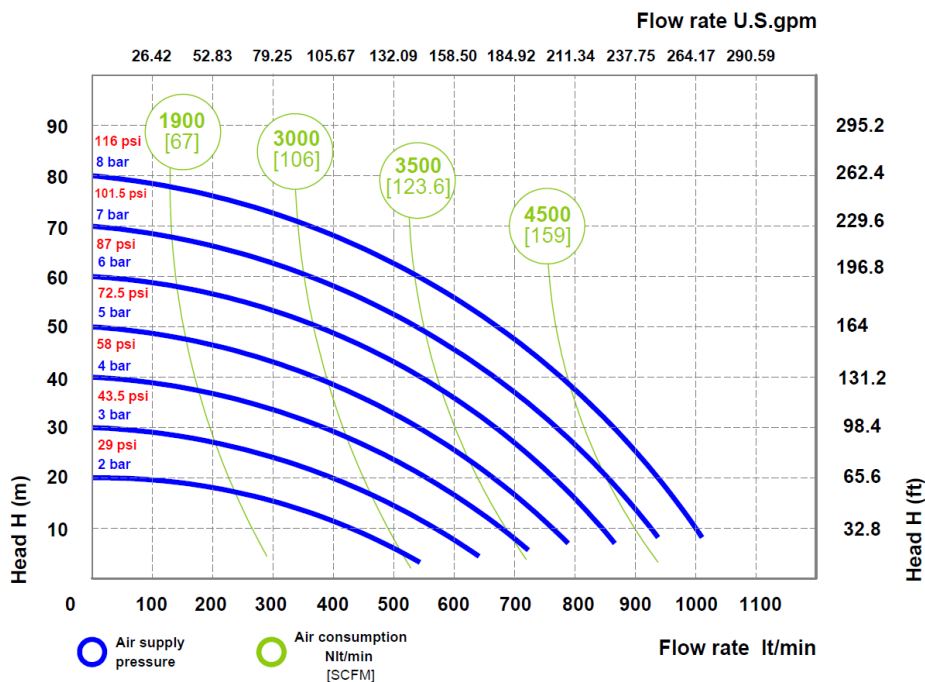
WEIGHT
122 kg

TEMPERATURE
-20°C +95°C



PERFORMANCE

The curves and performance values refer to pumps with submerged suction and free delivery outlet, with water at 20 °C. These data may vary according to the construction materials and hydraulic conditions.



FLUIMAC S.r.l. - Via Breascia, 1 - 21049 - Tradate - VA - ITALY
 info@fluimac.com - www.fluimac.com
 tel. +39 0331 866688 - Fax +39 0331 864870
 P.I./VAT 03259160129

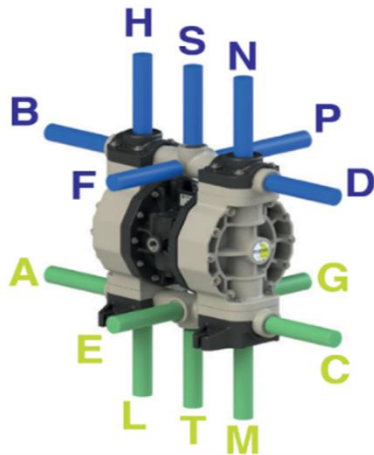




PF 1000

COMPOSITION

MODEL	CASING	DIAPHRAGM	BALLS	SEATS	GASKET	CONNECTIONS	ATEX	PORTS
PF1000	SS = SS ELECTR O- POLISHE D	HT = HYTREL+PTFE	T=PTFE S=SS	S=SS	T = PTFE	1 = BSPP 3 = TRI-CLAMP 6 = DIN	- = ZONE 2	EF = STANDAR D



AVAILABLE CONNECTIONS

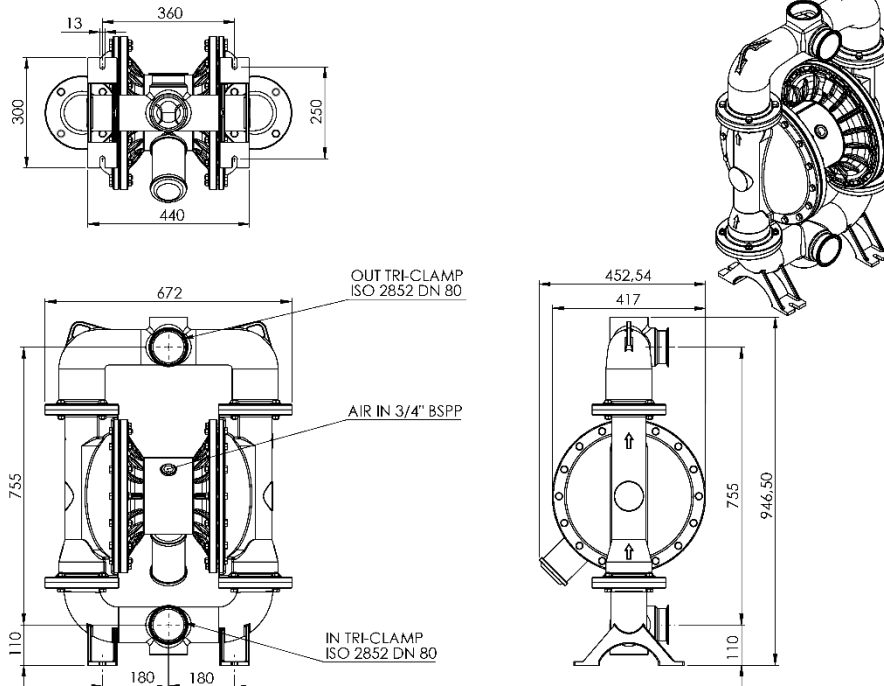
DELIVERY: F-P-S

SUCTION: E-G-T

PACKING DIMENSION

CARTON BOX: 80 X 60 X 115 cm

DIMENSIONS



Technical data are approximate and not binding for the manufacturer who reserves the right to change them without notice at any time.

Made in Italy



FLUIMAC S.r.l. - Via Breascia, 1 - 21049 - Tradate - VA - ITALY
info@fluimac.com - www.fluimac.com
 tel. +39 0331 866688 - Fax +39 0331 864870
 P.I./VAT 03259160129

