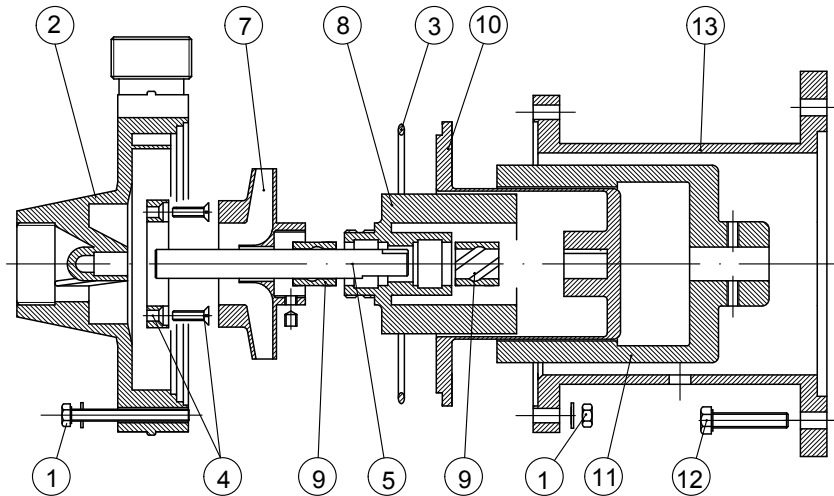


FEATURES/CARATTERISTICHE

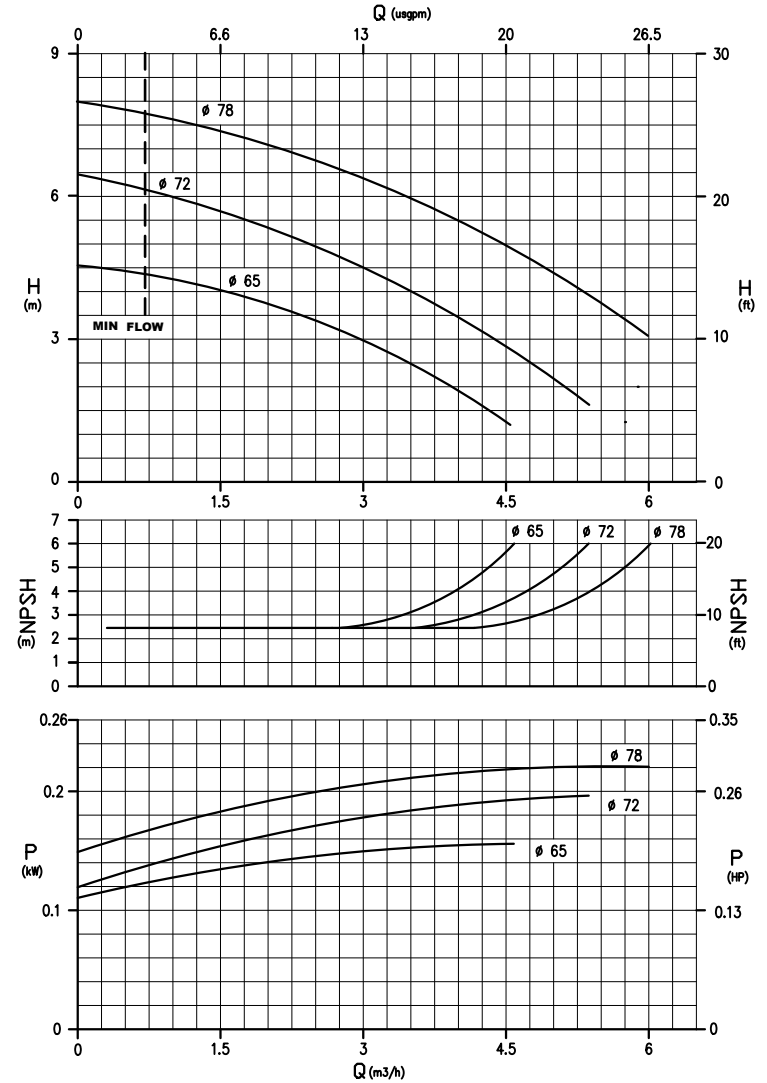
Materials available/Materiali disponibili:	AISI 316
Max flow/Portata massima:	6 m ³ /h
Max head/Prevalenza massima:	8 m
Max temperature/Temperatura massima:	160 °C
Max viscosity/Viscosità massima:	200 cSt
Pressure rating/Pressione nominale massima:	NP/PN 10 @ 20°C
Pump weight/Peso pompa:	6.2 Kg.

SECTION AND PARTS LIST/SEZIONE E LISTA PARTI



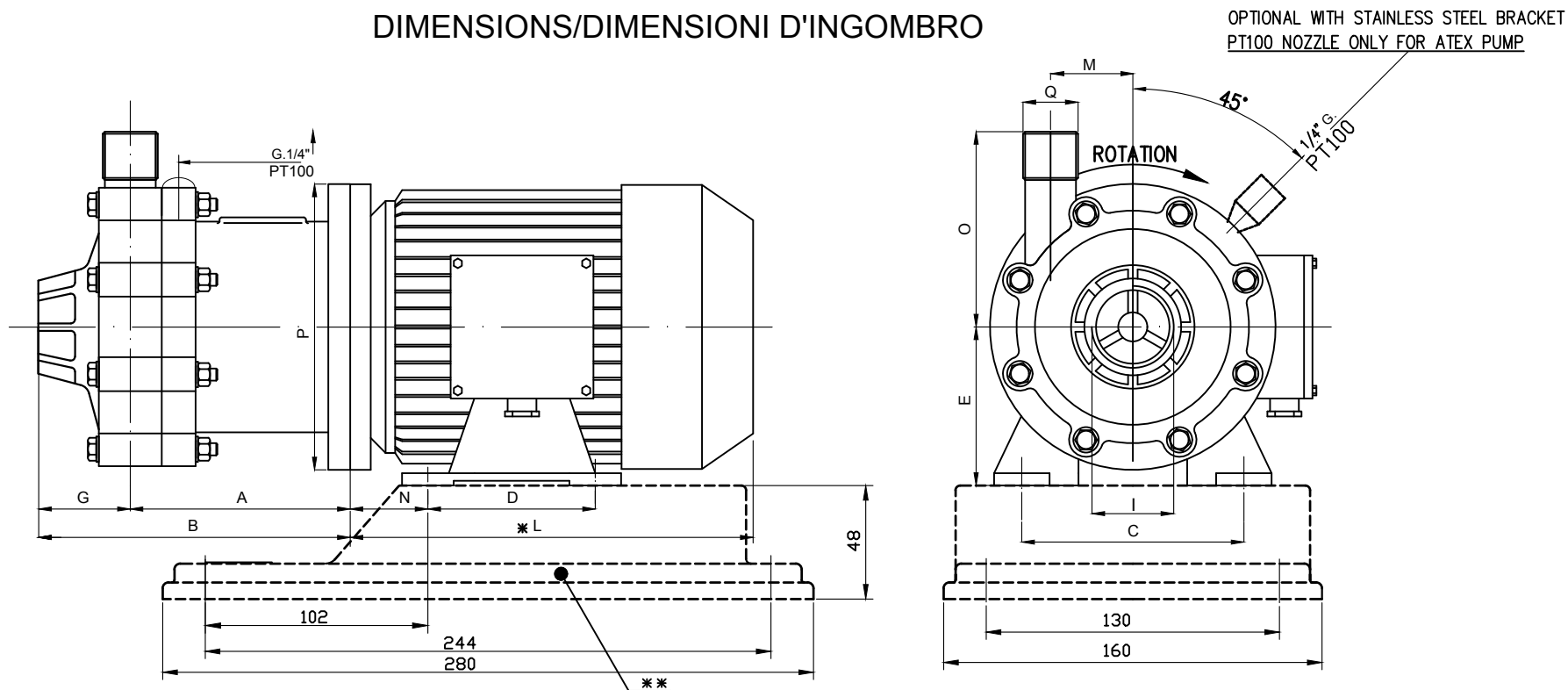
POS.	1	2	3	4	5	7	8	9	10	11	12	13
PART DESCR.	SET SCREWS	PUMP HEAD	O-RING	CASING THRUST BUSH	SHAFT	IMPELLER	INT. MAGNET	BEARING	REAR CASING	EXT. MAGNET	SET SCREWS	BRACKET
MATERIALS	AISI304	AISI316	EPDM VITON	PTFE CARBON	HC276	AISI316	AISI316	PTFE CARBON	AISI316	C40	AISI304	ALUMINIUM AISI316

CURVES/CURVE 50HZ-2900 RPM



All data stated are an indication and are liable to change without notice / Tutti i dati sono indicativi e possono variare senza preavviso

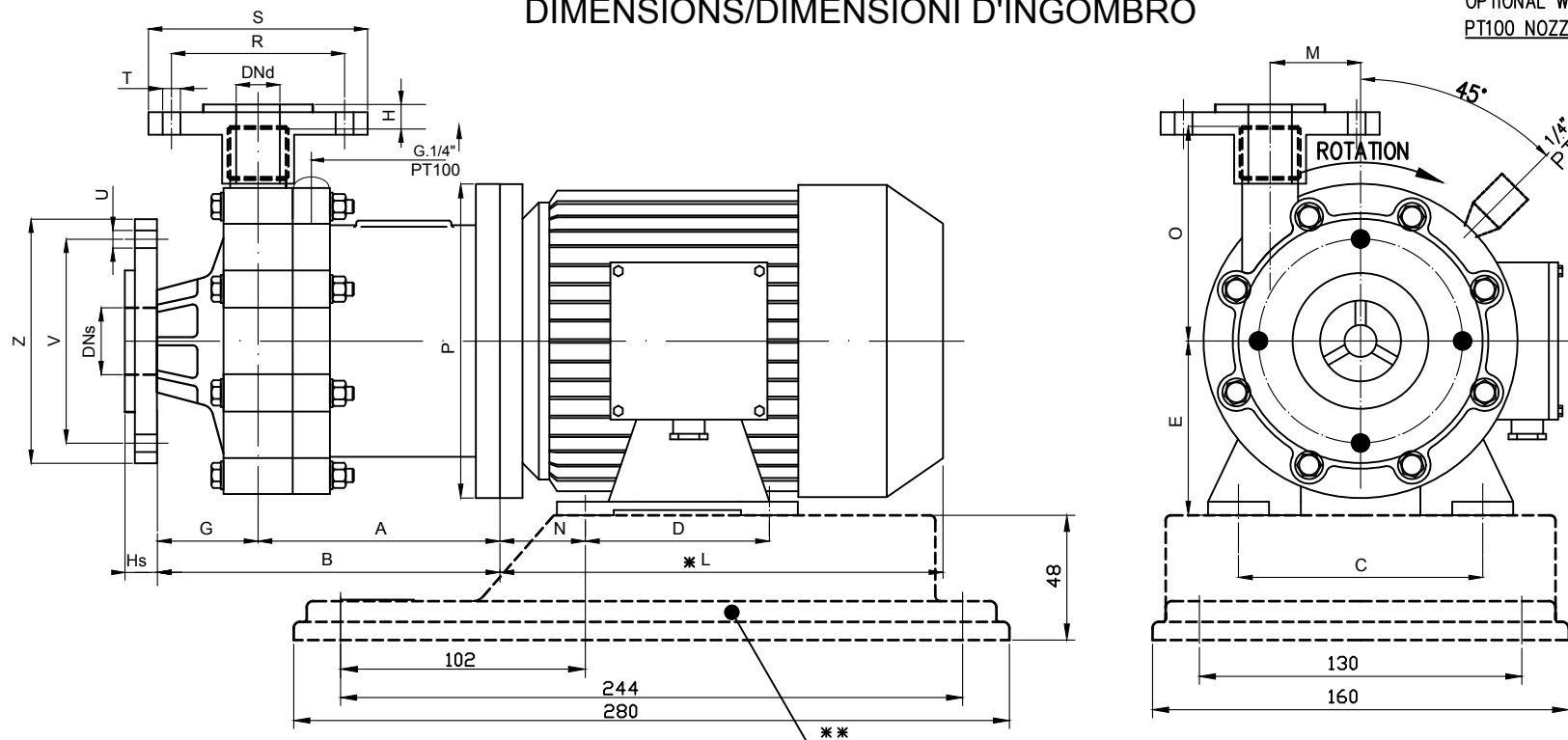
DIMENSIONS/DIMENSIONI D'INGOMBRO



PUMP TYPE	MOTOR FLANGE B3-B5	POT. Kw	DIMENSIONS - mm -												
			A	B	C	D	E	G	I	*L	M	N	O	P	Q
HTM 6 SS316 EM-C 6 SS316 (ATEX)	G 71 B	0.55	137	194	112	90	71	57	1" FEMALE	215	46	45	89	160	3/4" MALE

* Different according to the manufacturer / Diverso a seconda del fornitore
 ** OPTIONAL: Baseplate/Piede d'appoggio

DIMENSIONS/DIMENSIONI D'INGOMBRO



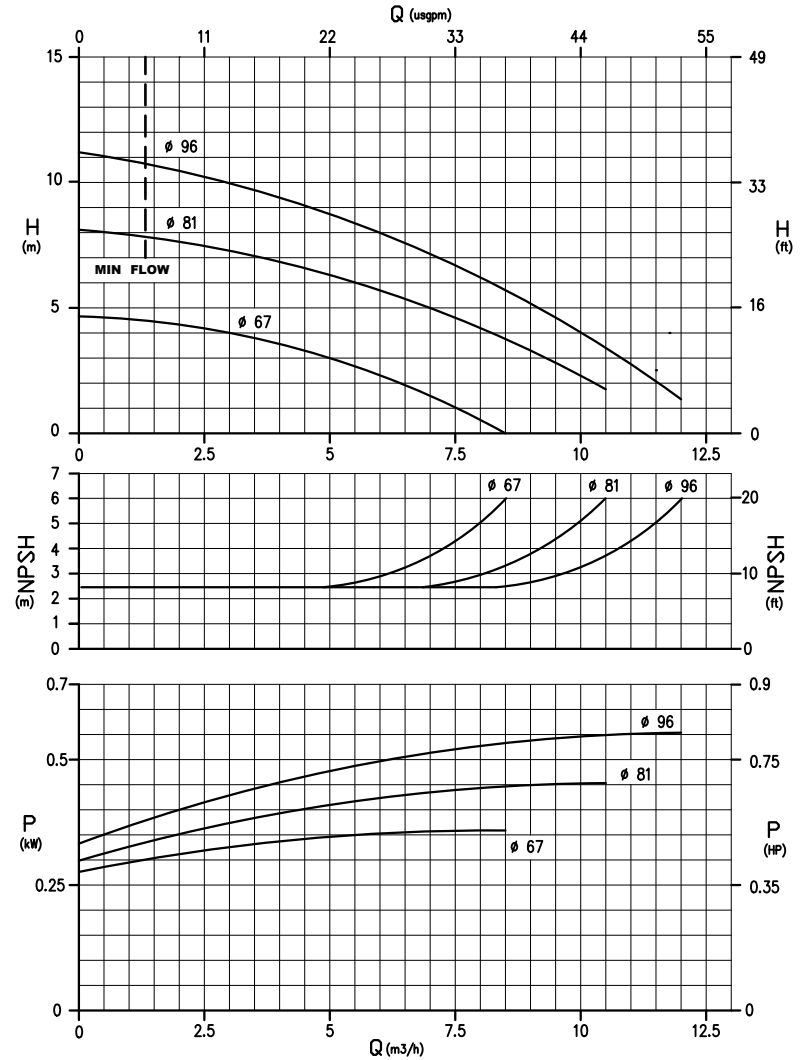
PUMP TYPE	MOTOR FLANGE B3-B5	POT. Kw	DIMENSIONS - mm -													FLANGES DIN PN 16-DIMENSIONS - mm -							
			A	B	C	D	E	Hs	G	H	*L	M	N	O	P	R	S	T	U	V	Z	DNs	DNd
HTM 6 SS316 EM-C 6 SS316 (ATEX)	G 71 B	0.55	137	194	112	90	71	24	57	4	215	46	45	89	160	75	105	14	14	85	115	25	20

* Different according to the manufacturer / Diverso a seconda del fornitore
** OPTIONAL: Baseplate/Piede d'appoggio

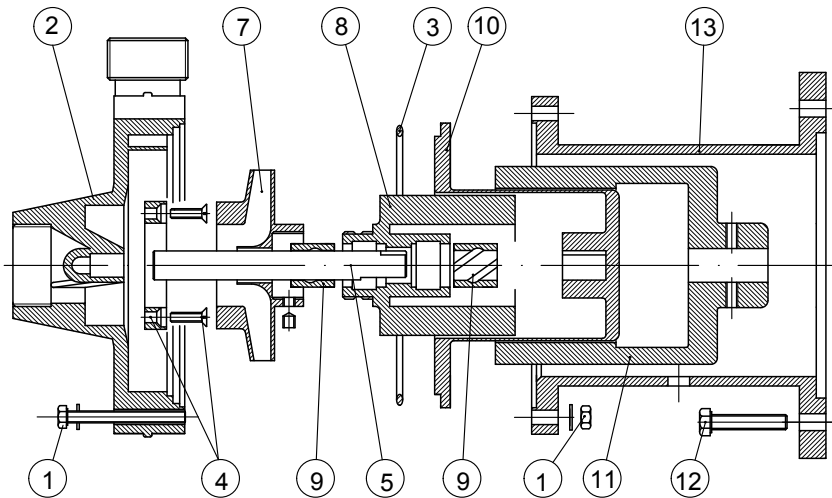
FEATURES/CARATTERISTICHE

Materials available/Materiali disponibili:	AISI 316
Max flow/Portata massima:	12 m ³ /h
Max head/Prevalenza massima:	12 m
Max temperature/Temperatura massima:	160 °C
Max viscosity/Viscosità massima:	200 cSt
Pressure rating/Pressione nominale massima:	NP/PN 10 @ 20°C
Pump weight/Peso pompa:	11.7 Kg.

CURVES/CURVE 50HZ-2900 RPM

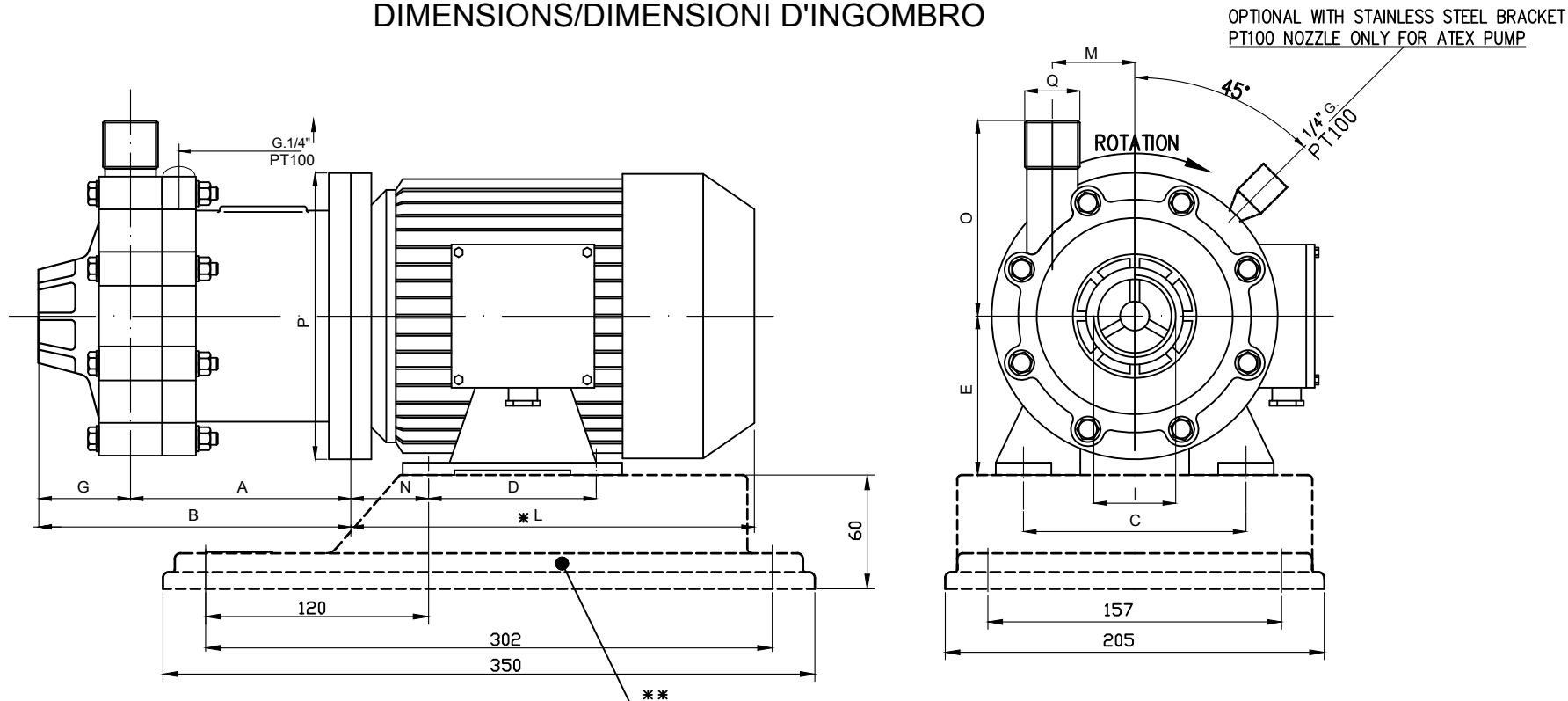


SECTION AND PARTS LIST/SEZIONE E LISTA PARTI



POS.	1	2	3	4	5	7	8	9	10	11	12	13
PART DESCR.	SET SCREWS	PUMP HEAD	O-RING	CASING THRUST BUSH	SHAFT	IMPELLER	INT. MAGNET	BEARING	REAR CASING	EXT. MAGNET	SET SCREWS	BRACKET
MATERIALS	AISI304	AISI316	EPDM VITON	PTFE CARBON	HC276	AISI316	AISI316	PTFE CARBON	AISI316	C40	AISI304	ALUMINIUM AISI316

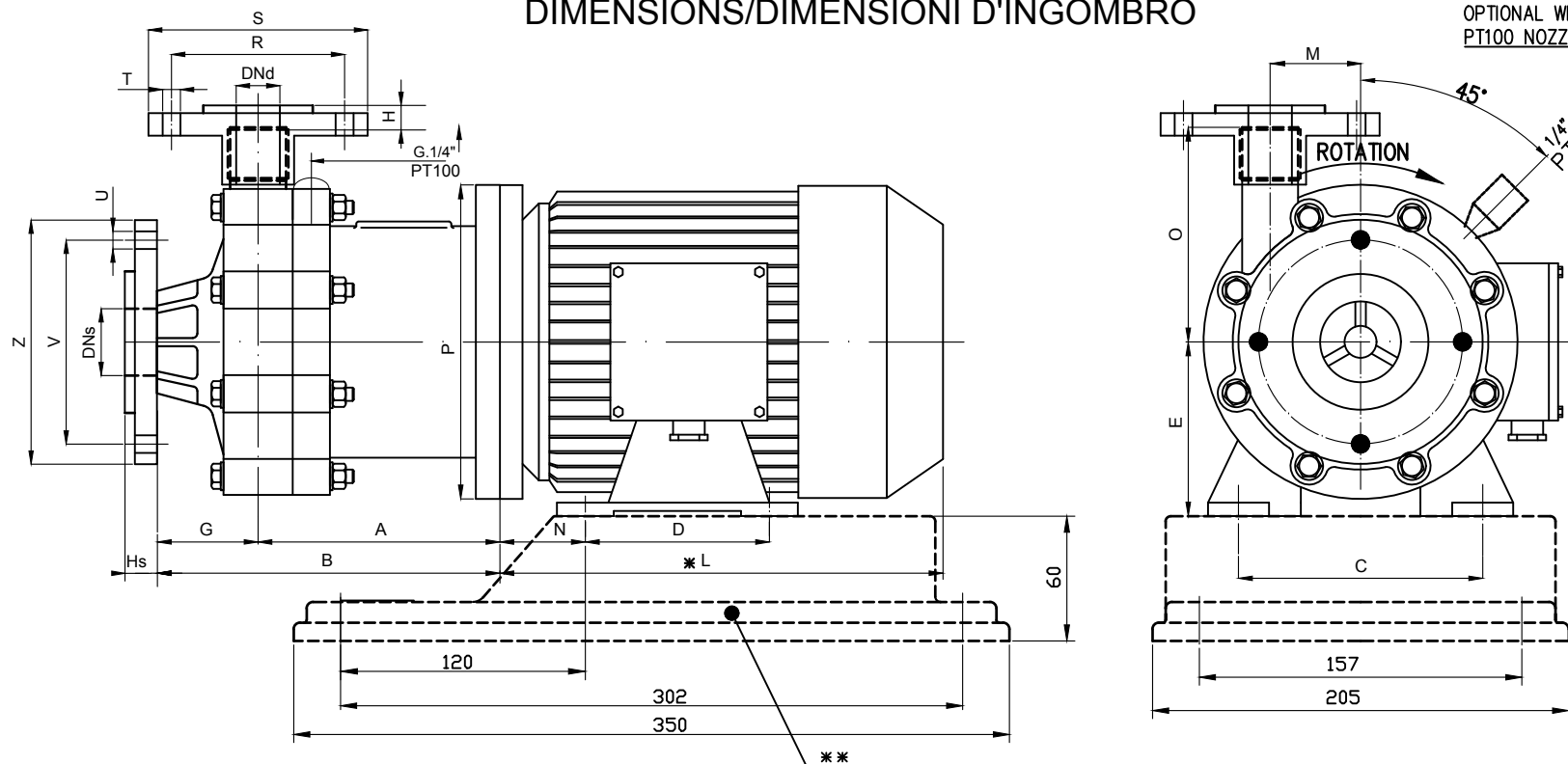
DIMENSIONS/DIMENSIONI D'INGOMBRO



PUMP TYPE	MOTOR FLANGE B3-B5	POT. Kw	DIMENSIONS - mm -												
			A	B	C	D	E	G	I	*L	M	N	O	P	Q
HTM 10 SS316 EM-C 10 SS316 (ATEX)	G 80 B	1.1	145	214	125	100	80	69	1 1/2" FEMALE	232	44	50	98	200	1" MALE

* Different according to the manufacturer / Diverso a seconda del fornitore
 ** OPTIONAL: Baseplate/Piede d'appoggio - Flanges/Flange

DIMENSIONS/DIMENSIONI D'INGOMBRO



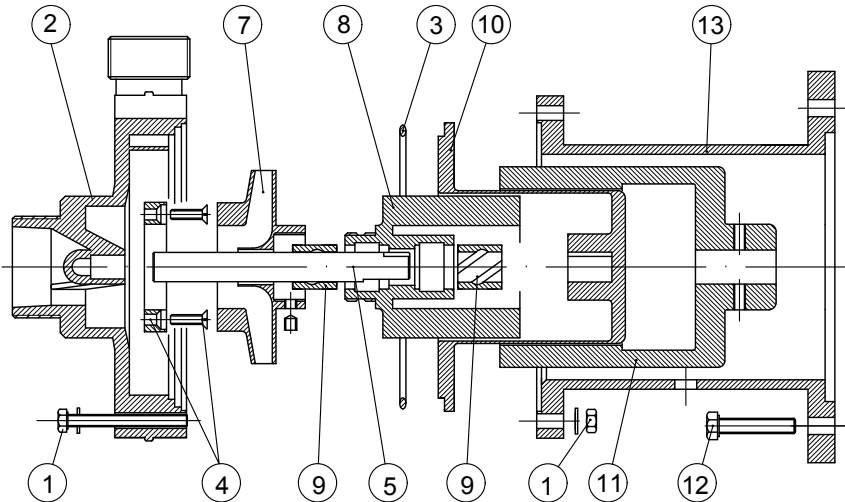
PUMP TYPE	MOTOR FLANGE B3-B5	POT. Kw	DIMENSIONS - mm -													FLANGES DIN PN 16-DIMENSIONS - mm -							
			A	B	C	D	E	Hs	G	H	*L	M	N	O	P	R	S	T	U	V	Z	DNs	DNd
HTM 10 SS316 EM-C 10 SS316 (ATEX)	G 80 B	1.1	145	214	125	100	80	20	69	8	232	44	50	98	200	85	115	14	18	110	150	40	25

* Different according to the manufacturer / Diverso a seconda del fornitore
** OPTIONAL: Baseplate/Piede d'appoggio

FEATURES/CARATTERISTICHE

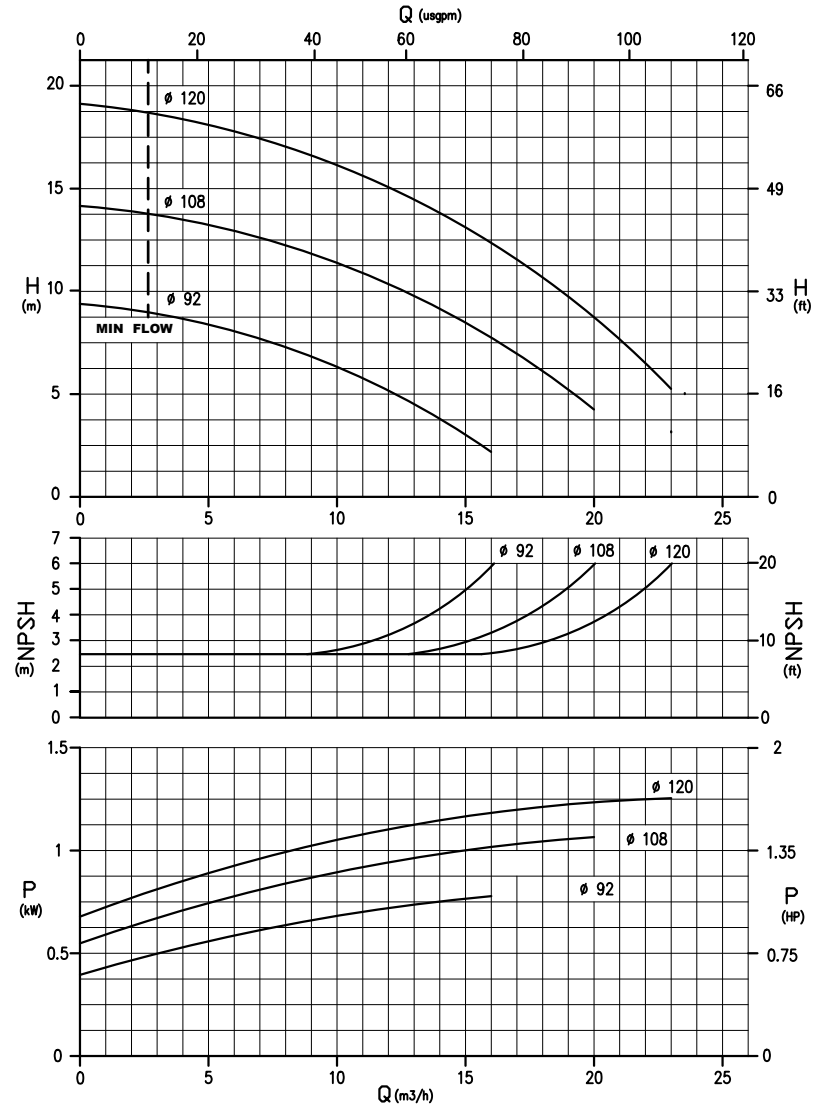
Materials available/Materiali disponibili:	AISI 316
Max flow/Portata massima:	23 m ³ /h
Max head/Prevalenza massima:	19 m
Max temperature/Temperatura massima:	160 °C
Max viscosity/Viscosità massima:	200 cSt
Pressure rating/Pressione nominale massima:	NP/PN 10 @ 20°C
Pump weight/Peso pompa:	17 Kg.

SECTION AND PARTS LIST/SEZIONE E LISTA PARTI



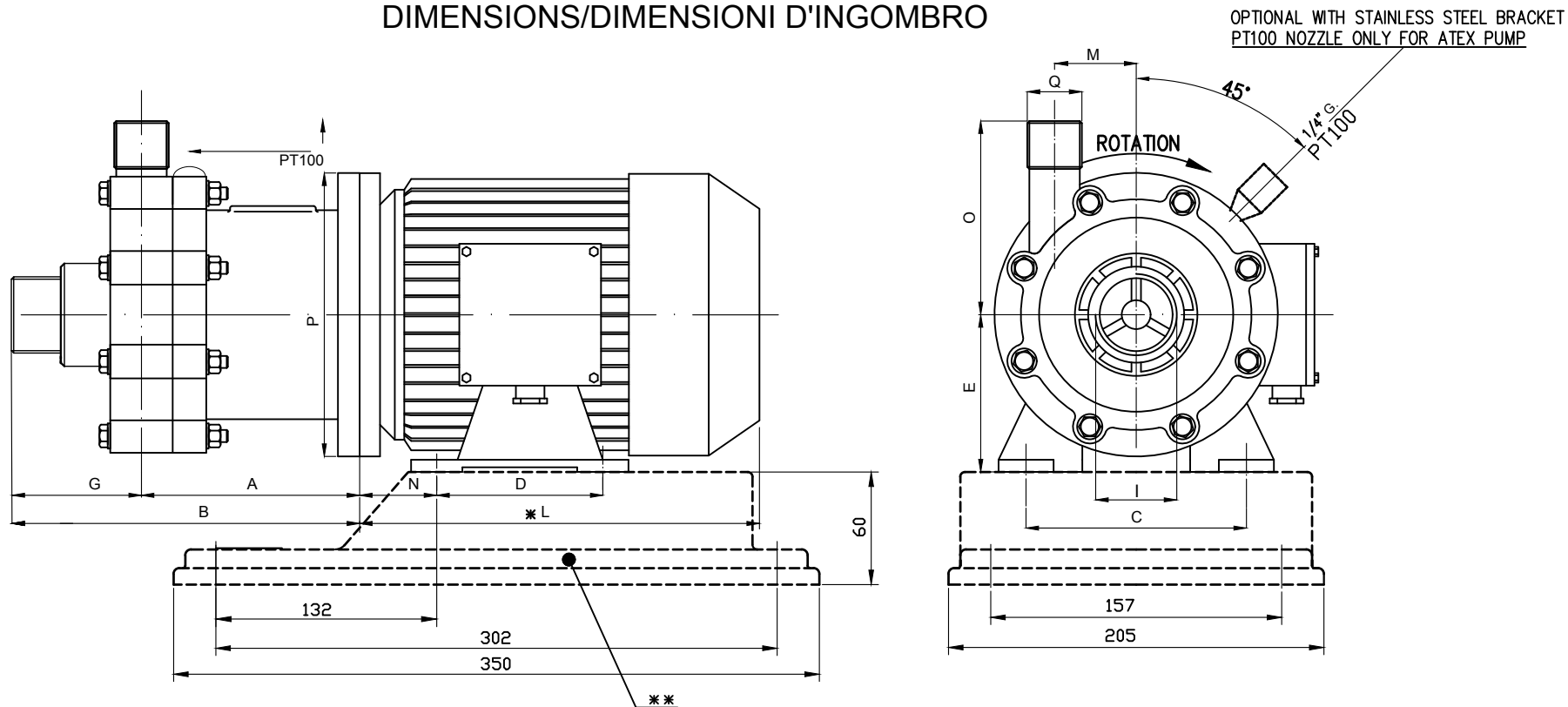
POS.	1	2	3	4	5	7	8	9	10	11	12	13
PART DESCR.	SET SCREWS	PUMP HEAD	O-RING	CASING THRUST BUSH	SHAFT	IMPELLER	INT. MAGNET	BEARING	REAR CASING	EXT. MAGNET	SET SCREWS	BRACKET
MATERIALS	AISI304	AISI316	EPDM VITON	PTFE CARBON	HC276	AISI316	AISI316	PTFE CARBON	AISI316	C40	AISI304	ALUMINIUM AISI316

CURVES/CURVE 50HZ-2900 RPM



All data stated are an indication and are liable to change without notice / Tutti i dati sono indicativi e possono variare senza preavviso

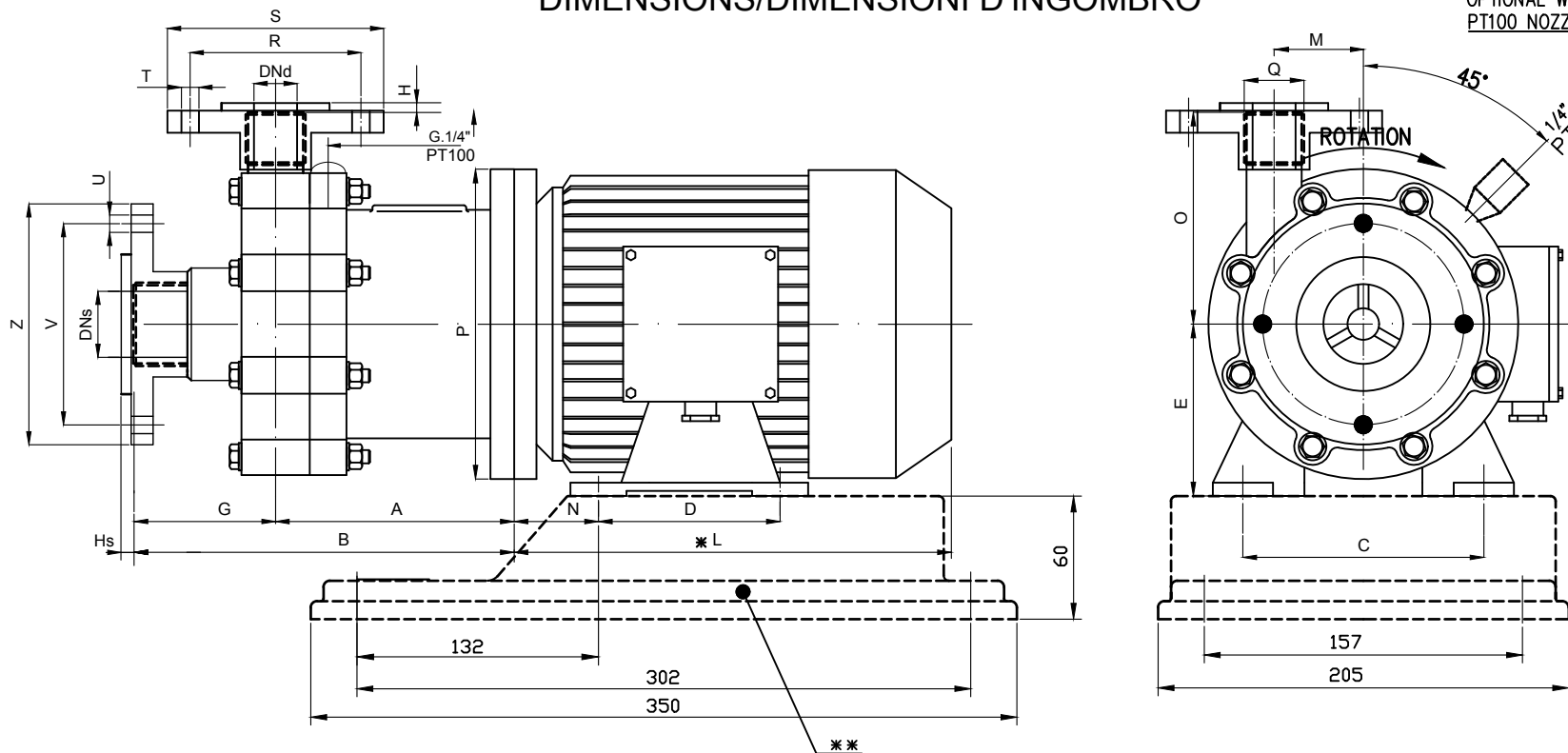
DIMENSIONS/DIMENSIONI D'INGOMBRO



PUMP TYPE	MOTOR FLANGE B3-B5	POT. Kw	DIMENSIONS - mm -												
			A	B	C	D	E	G	I	*L	M	N	O	P	Q
HTM 15 SS316 EM-C 15 SS316 (ATEX)	G 90 S	1.5	176	256	140	100	90	80	2"	255	66	56	135	200	1 1/2"

* Different according to the manufacturer / Diverso a seconda del fornitore
** OPTIONAL: Baseplate/Piede d'appoggio - Flanges/Flange

DIMENSIONS/DIMENSIONI D'INGOMBRO



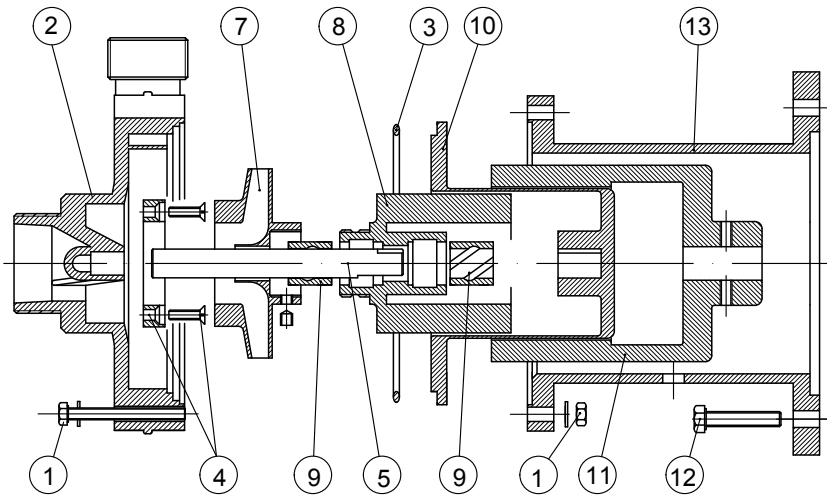
PUMP TYPE	MOTOR FLANGE B3-B5	POT. Kw	DIMENSIONS - mm -													FLANGES DIN PN 16-DIMENSIONS - mm -							
			A	B	C	D	E	Hs	G	H	*L	M	N	O	P	R	S	T	U	V	Z	DNs	DNd
HTM 15 SS316 EM-C 15 SS316 (ATEX)	G 90 S	1.5	176	256	140	100	90	6	80	4	255	66	56	135	200	110	153	18	18	125	168	50	40

* Different according to the manufacturer / Diverso a seconda del fornitore
** OPTIONAL: Baseplate/Piede d'appoggio

FEATURES/CARATTERISTICHE

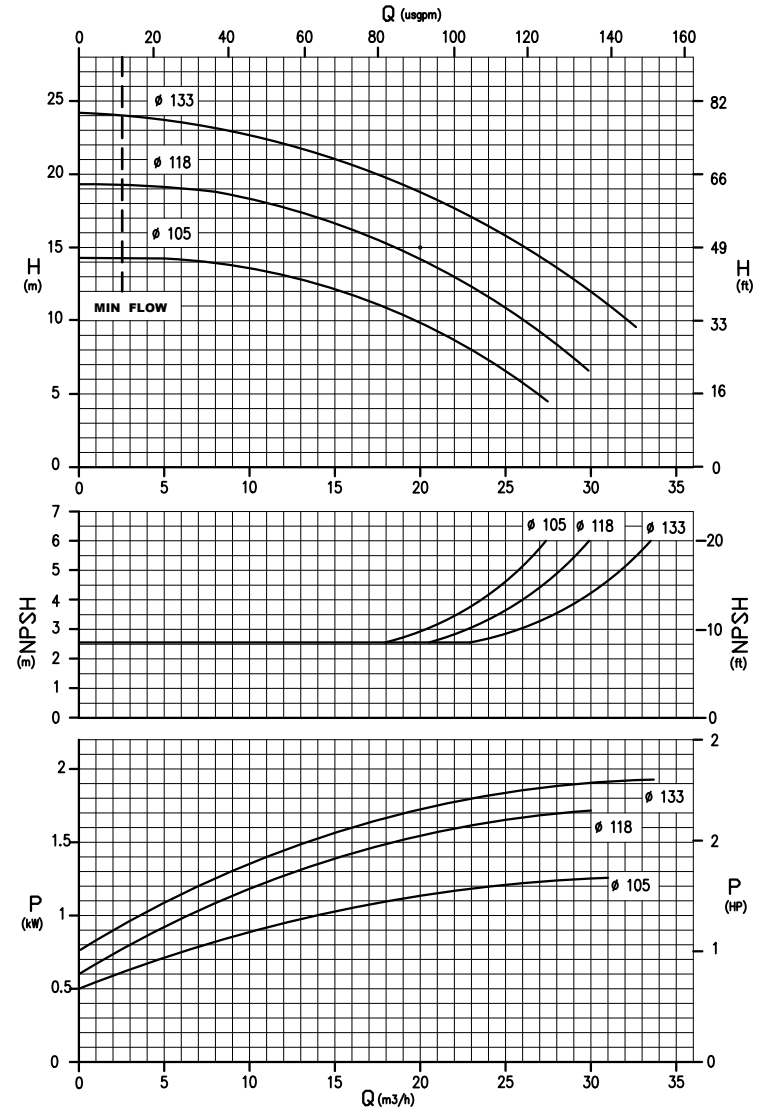
Materials available/Materiali disponibili:	AISI 316
Max flow/Portata massima:	32 m ³ /h
Max head/Prevalenza massima:	24 m
Max temperature/Temperatura massima:	160 °C
Max viscosity/Viscosità massima:	200 cSt
Pressure rating/Pressione nominale massima:	NP/PN 10 @ 20°C
Pump weight/Peso pompa:	20 Kg.

SECTION AND PARTS LIST/SEZIONE E LISTA PARTI



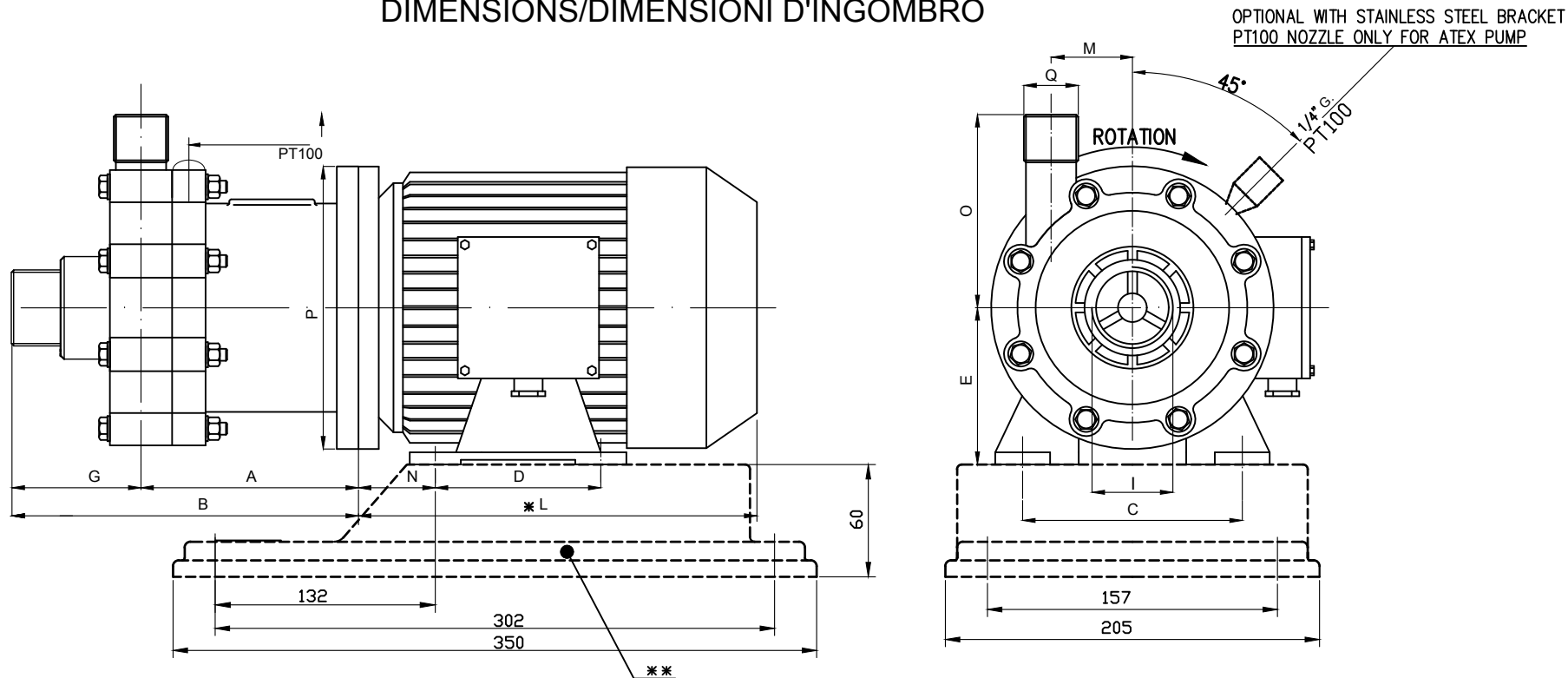
POS.	1	2	3	4	5	7	8	9	10	11	12	13
PART DESCR.	SET SCREWS	PUMP HEAD	O-RING	CASING THRUST BUSH	SHAFT	IMPELLER	INT. MAGNET	BEARING	REAR CASING	EXT. MAGNET	SET SCREWS	BRACKET
MATERIALS	AISI304	AISI316	EPDM VITON	PTFE CARBON	HC276	AISI316	AISI316	PTFE CARBON	AISI316	C40	AISI304	ALUMINIUM AISI316

CURVES/CURVE 50HZ-2900 RPM



All data stated are an indication and are liable to change without notice / Tutti i dati sono indicativi e possono variare senza preavviso

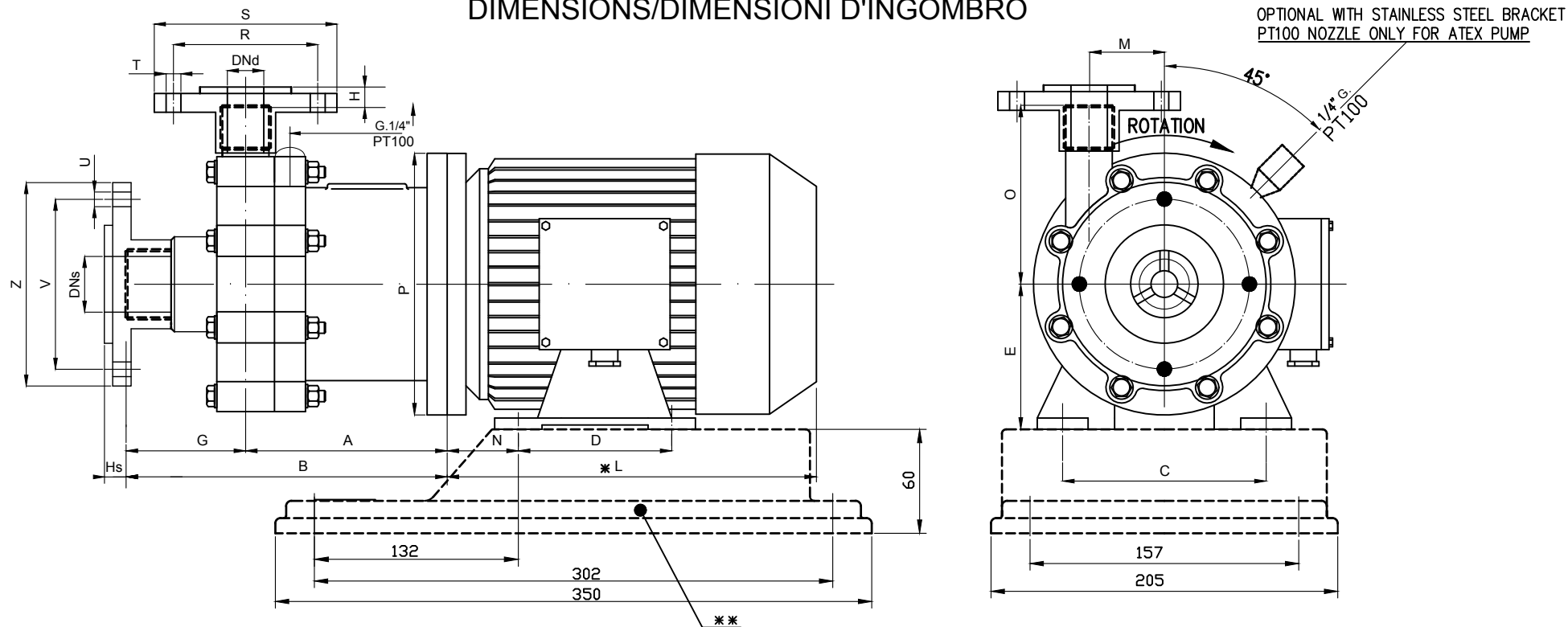
DIMENSIONS/DIMENSIONI D'INGOMBRO



PUMP TYPE	MOTOR FLANGE B3-B5	POT. Kw	DIMENSIONS - mm -												
			A	B	C	D	E	G	I	*L	M	N	O	P	Q
HTM 31 SS316 EM-C 31 SS316 (ATEX)	G 90 L	2.2	175	266	140	125	90	91	2 1/2" MALE	280	66	56	140	200	2" MALE

* Different according to the manufacturer / Diverso a seconda del fornitore
 ** OPTIONAL: Baseplate/Piede d'appoggio - Flanges/Flange

DIMENSIONS/DIMENSIONI D'INGOMBRO



PUMP TYPE	MOTOR FLANGE B3-B5	POT. Kw	DIMENSIONS - mm -													FLANGES DIN PN 16-DIMENSIONS - mm -							
			A	B	C	D	E	Hs	G	H	*L	M	N	O	P	R	S	T	U	V	Z	DNs	DNd
HTM 31 SS316 EM-C 31 SS316 (ATEX)	G 90 L	2.2	175	266	140	125	90	6.5	91	5	280	66	56	140	200	125	168	18	18	145	188	65	50

* Different according to the manufacturer / Diverso a seconda del fornitore
** OPTIONAL: Baseplate/Piede d'appoggio